

Industrial Odour Treatment Specialists

FiltaPro Forced Extraction Carbon Filters



CleanaWater's carbon filters use activated carbon to capture hazardous gases and VOCs, reducing toxic odours by over 99%. Commercial activated carbon filters are considered one of the most reliable methods for removing hazardous and odorous substances. Economical and highly effective for use as a single-stage treatment, our carbon filters come skid mounted and are plug and play systems.



FiltaPro 350 FE

Maximum Flow Rate: 350 L/S

Dimensions: Height - 1805 mm
Width - 3367 mm
Depth - 1630 mm
Stack - 3100 mm

Overall Weight: 680 kg



FiltaPro 550 FE

Maximum Flow Rate: 550 L/S

Dimensions: Height - 1925 mm
Width - 3636 mm
Depth - 2050 mm
Stack - 3100 mm

Overall Weight: 830 kg



FiltaPro 700 FE

Maximum Flow Rate: 700 L/S

Dimensions: Height - 1961 mm
Width - 3882 mm
Depth - 2330 mm
Stack - 3100 mm

Overall Weight: 915 kg



FiltaPro 900 FE

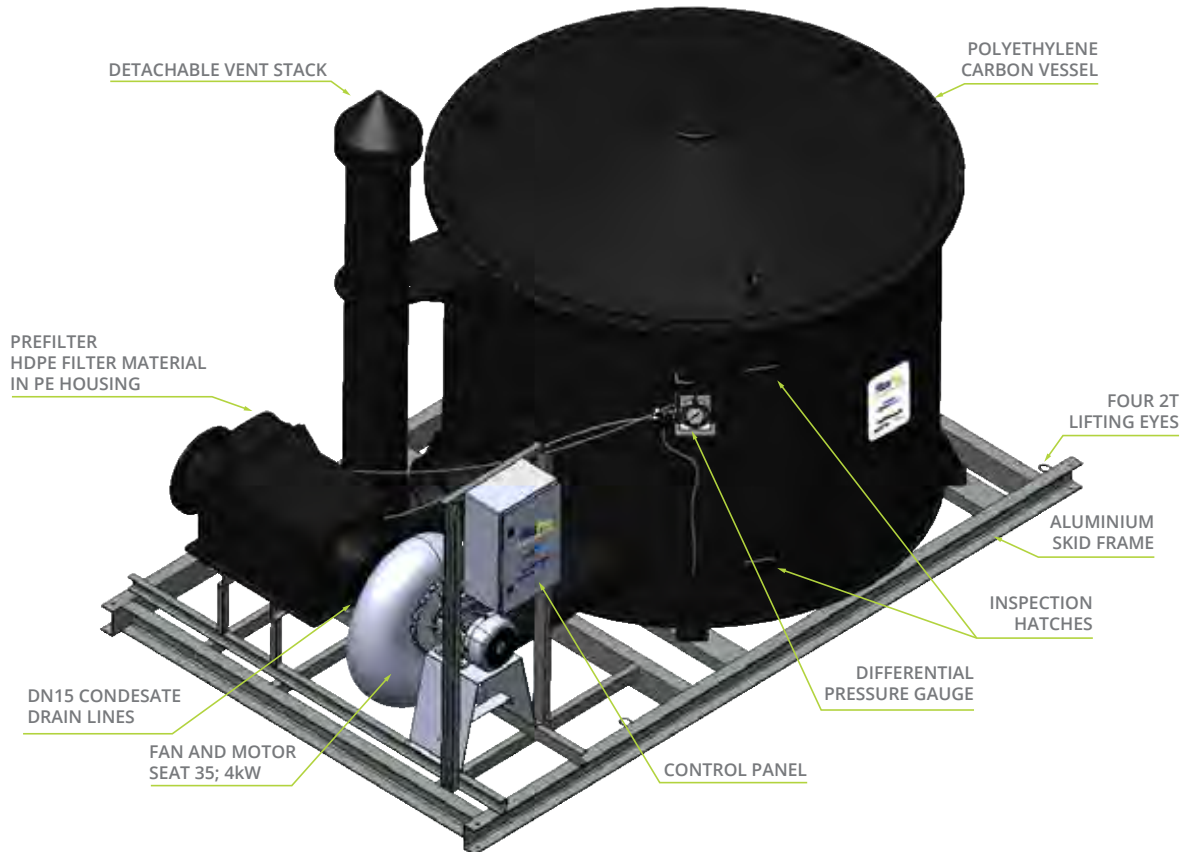
Maximum Flow Rate: 900 L/S

Dimensions: Height - 2158 mm
Width - 4128 mm
Depth - 2500 mm
Stack - 3100 mm

Overall Weight: 1155 kg

Detailed specification sheets are available, contact CleanaWater for more information.

Remove 99.5% of contaminants and odour causing emissions with a carbon filter.



Features and Benefits

- ☞ Easy to install plug and play system, which saves on install costs
- ☞ Skid mounted design
- ☞ Used on pump stations, inlet works, wastewater treatment plants, and manufacturing facilities
- ☞ Available in a range of sizes
- ☞ Treatment is continuous despite different flow rates and concentrations
- ☞ Processes a range of different organic contaminants
- ☞ Designed for harsh Australian conditions
- ☞ Easy carbon replacement

Fan assisted filters, also known as activated carbon filter systems, are skid mounted units suitable for use on pump stations, inlet works, wastewater treatment plants, and manufacturing facilities, and more. These filters are highly effective in odour treatment and are particularly effective at lowering odour levels. All our industrial fan-assisted filters come in a range of sizes to suit your infrastructure.

Many Australian councils and manufacturing facilities trust the proven technology of CleanaWater's activated carbon odour treatment for reliable odour control. With over 25 years of experience, we lead the market in the provision of odour treatment systems, and our carbon filter systems can be found in a wide range of businesses and industries across Australia.

Our thorough consultation process and excellent customer service ensure we understand your needs completely and can provide a cost-effective and low-maintenance odour solution to help manage your odour problems.

Economical and highly effective, our carbon filters eliminate odours across many industries.

CleanaWater's system design ensures that carbon exchanges are convenient and straightforward with carbon filter media that can be adapted to last from 12 months to 2 years, depending on your requirements. And, to ensure a longer product life expectancy, our commercial carbon filters are made from top-quality, durable materials and are highly resistant to corrosion.

For ease of use, our units are fully skid mounted, factory-tested and set up as plug and play arrangements. Plug and play systems makes installing the units easy but if you require assistance, the team at CleanaWater are happy to help and can be contacted to supply installation and commissioning.

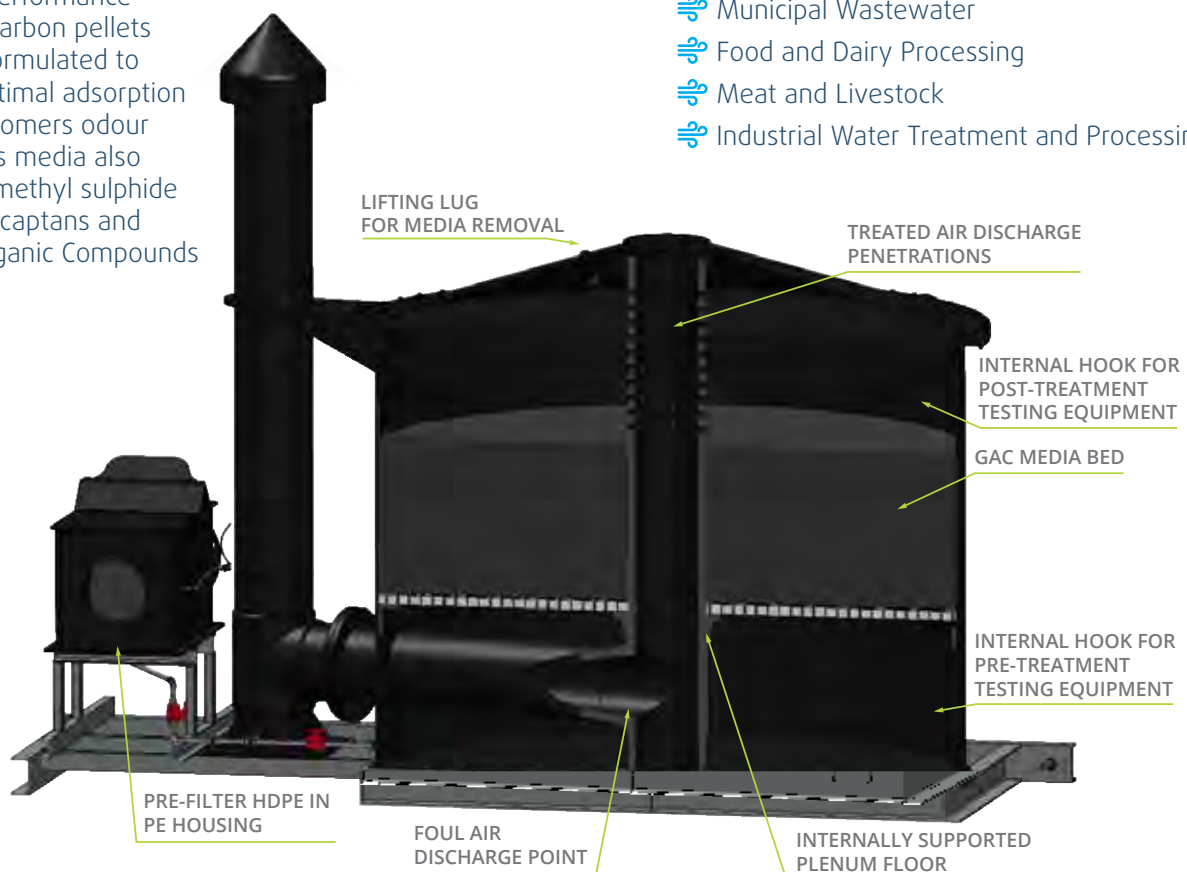
Our fan assisted filters are a single-stage treatment method for hazardous gases that use carbon adsorption technology. They work by extracting noxious gases from source matter using an extraction (blower) fan, which then sends the gases through the filter media. The noxious gases are first collected in the filter's lower plenum, then are adsorbed by the media in the filter bed. Finally, the activated carbon media is chemically pretreated to allow for 99.5% of hazardous gas removal.

How do they work?

CleanaWater's carbon filters use high-performance activated carbon pellets specially formulated to provide optimal adsorption to suit customers odour profile. This media also reduces dimethyl sulphide levels, mercaptans and Volatile Organic Compounds (VOCs).

Examples of Applicable Industries

- Manufacturing
- Municipal Wastewater
- Food and Dairy Processing
- Meat and Livestock
- Industrial Water Treatment and Processing



Dependable Odour Control

FiltaPro Passive Carbon Filters



Removing up to 99.5% of odours, even during the peak periods in the early mornings and late afternoons, our passive carbon filters are both economic and highly effective. Reduce your emissions quickly and conveniently with FiltaPro passive carbon filters.



FiltaPro 40

Maximum Flow Rate: 40 L/S / 120m³h

Construction: HDPE

Dimensions: Height - 880 mm
Length - 500 mm

Available in Models: Base entry, Side entry, Side entry – side exit (see FiltaPro's Stack Diverter range)



FiltaPro 80

Maximum Flow Rate: 80 L/S / 288m³h

Construction: HDPE

Dimensions: Height - 1395 mm
Length - 890 mm
Width - 480 mm

Available in Models: Base entry, Side entry, Side entry – side exit (see FiltaPro's Stack Diverter range)



FiltaPro 160

Maximum Flow Rate: 160 L/S / 576m³h

Construction: HDPE

Dimensions: Height - 1395 mm
Length - 890 mm
Width - 890 mm

Available in Models: Base entry, Side entry, Side entry – side exit (see FiltaPro's Stack Diverter range)

All units have a cartridge life expectancy of at least 12 month under what would be considered normal operating conditions, this may fluctuate due to odour level concentrations.

Stack Diverter Range

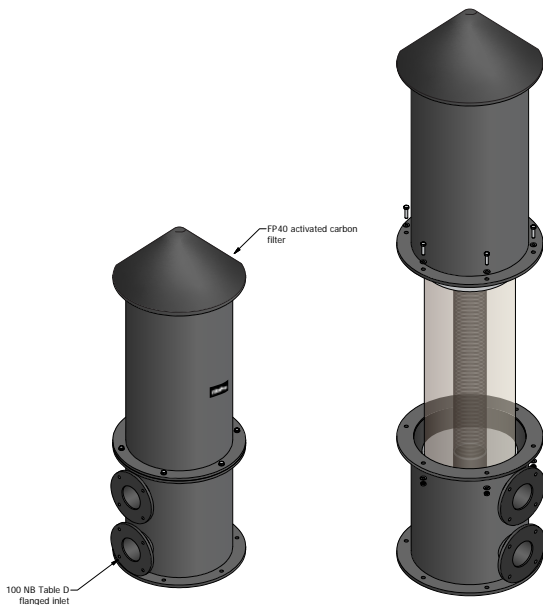
The FiltaPro passive range can easily be connected to one of our FiltaPro Stack Diverters, this allows odorous gasses to be treated at ground level avoiding the need for stack mounted odour control units and eliminating all fall from heights and OHS concerns during maintenance and media changes. Our stack diverters can be constructed to have a variety of Vent Stacks mounted to the Stack Diverter to suit your needs.



Detailed specification sheets are available, contact CleanaWater for more information.

Passive vent filters are designed to require very little maintenance, with no moving parts.

Activated carbon is the safest, most efficient technology for the removal of VOCs, airborne chemicals, gaseous pollutants, and other fumes and odours in industrial, municipal or commercial applications. We specially developed the blend of activated carbon inside our vent filters for its effectiveness in removing H₂S gases, mercaptans and other volatile organic compounds (VOCs).



Features and Benefits

- ⇒ Easy to install plug and play system
- ⇒ Can connect to external vent duct or stack
- ⇒ Up to 99.5% odour removal
- ⇒ Capacity variation to suit different needs (40-160Lps)
- ⇒ Allows air inflow into sewer system
- ⇒ Greater customisation with multi-cartridge options
- ⇒ Low cost per unit
- ⇒ Designed for the harsh Australian conditions
- ⇒ Replaceable cartridges for a solution that lasts

Passive vent filters work using cartridges full of high performance activated carbon to absorb and oxidise sewer gases. Low back pressure in the units encourages airflow. Passive vent filters can be used to treat H₂S, as well as dimethyl sulphide, mercaptans and volatile organic compounds (VOCs).

Passive vent filters are specially designed to require very little maintenance, with no moving parts. As a result, they are robust, securely assembled and appropriate for harsh environments.

With easy installation and a high odour removal rate of 99.5%, passive vent filters offer a low cost, long-term odour management intervention. Replaceable cartridges make equipment upkeep a breeze.

CleanaWater's passive vent filters are made to be UV corrosion resistant with High-Density Polyethylene (HDPE). The unit's lid is gasket sealed, attached to the vessel base and bolted securely.

Drawing on over 25+ years of experience in the industry, our expert team can advise you on the right vent filters to ensure compliance at your site, assist you with installation and even provide custom mixtures to suit your particular odour control requirements.