

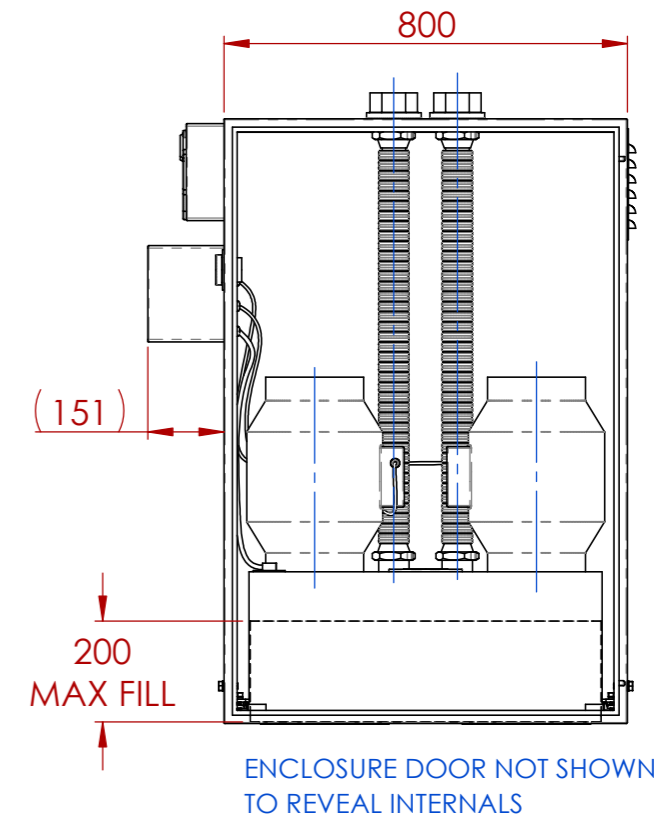
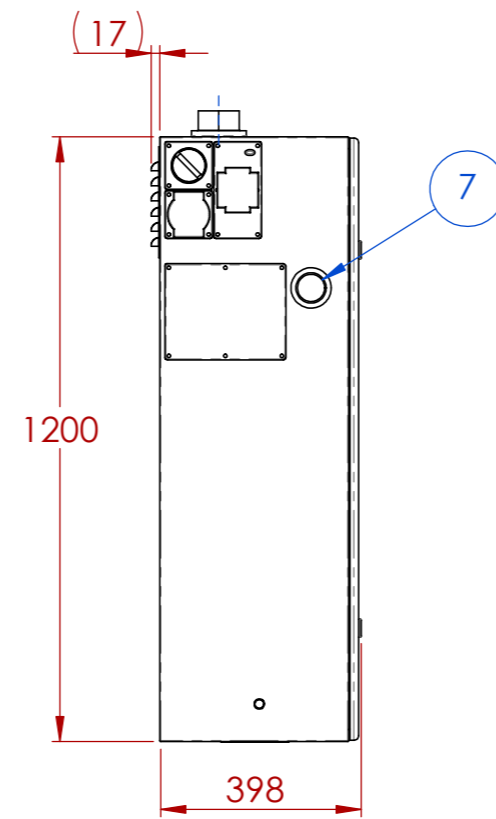
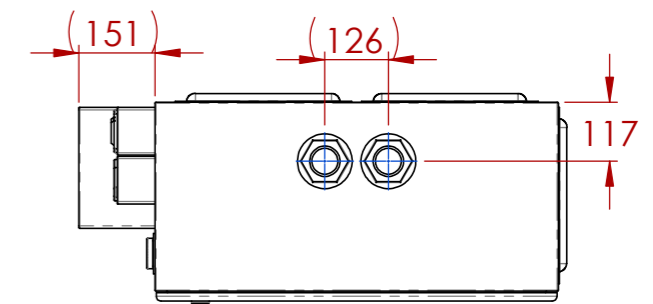
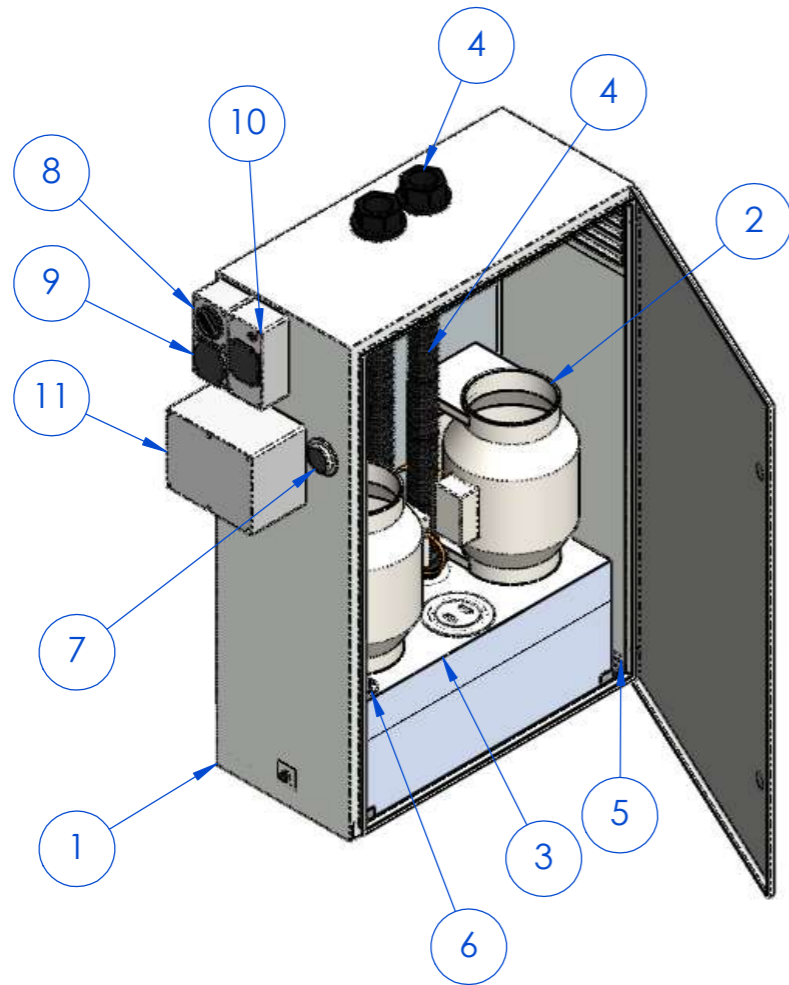
REVISIONS					
REV.	DESCRIPTION	DATE	DRAWN	CHECKED	APPROVED
A	INITIAL ISSUE	2/05/2023	WA	JdJ	WA

VAPOURGARD VG150

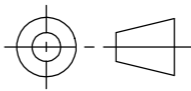

DESCRIPTION	SPECIFICATION
DUTY FLOW RATE	1135 m3/h
DUCTING BATTERY LIMIT	FEMALE PIPE THREAD - BSP 2"
ELECTRICAL SUPPLY	APPLICANCE INLET - 10 A, 240 VAC
UNIT MASS	70 kg approx.
TANK FLUID SPECIFICATION	QUICKAIR 0900 V
TANK MAX CAPACITY	42 L
TANK LEVEL GAUGE	AUTOMATIC, ACTIVE WHEN UNIT IS POWERED
TIMER	DIGITAL SWITCH - 24 HOURS, 7 DAYS



UNLESS OTHERWISE SPECIFIED: DIMENSIONS ARE IN MILLIMETERS SURFACE FINISH: TOLERANCES: LINEAR: 2 mm ANGULAR: 0.10°				DEBUR AND BREAK SHARP EDGES	A3
NAME	SIGNATURE	DATE	FINISH:	TITLE:	
DRAWN WA		2/05/2023		VG150 GENERAL ARRANGEMENT DRAWING	REVISION A
PROPRIETARY AND CONFIDENTIAL THE INFORMATION CONTAINED IN THIS DRAWING IS THE SOLE PROPERTY OF H2O CLEANAWATER. ANY REPRODUCTION IN PART OR AS A WHOLE WITHOUT THE WRITTEN PERMISSION OF H2O CLEANAWATER IS PROHIBITED. H2O CLEANAWATER, 40 LATITUDE BLVD, THOMASTOWN, VIC 3074. 1800 353 788			DO NOT SCALE DRAWING	DWG NO. VG150-A00-001	
WEIGHT:		SCALE:1:20		SHEET 1 OF 2	



ITEM NO.	QTY.	CODE	DESCRIPTION	MATERIAL
11	1	-	TERMINAL BOX, GREY, N-LINE W/ PLT; 240x191x151; POLY	POLY
10	1	23086	CIRCUIT BREAKER; COMBINATION RCBO; TYPE A SWITCHED NEUTRAL; 240V AC; 10A; 50/60HZ; 6KA INTERRUPT CAPACITY	POLY
9	1	23082	APPLIANCE INLET; 1 PHASE; 10A; 250V; 3 PINS; FLAT PIN; POLYCARBONATE; IP66	POLY
8	1	20383	ISOLATING SWITCH; 50 VAC; 10 A; 50 Hz; 3 POLE; 1 WAY; POLYCARBONATE; IP66	POLY
7	1	50658	GAUGE, LEVEL; PLASTIC, 12VDC, 0-190 OHMS; WEMA-IPWR-BB	PLASTIC
6	1	50657	FLOAT, LEVEL, 300mm; SS; 12/24VDC; WEMA-S5-E300	STAINLESS STEEL
5	2	-	TANK SUPPORT SUBFRAME - STRUT AND FITTINGS	GAL STEEL
4	2	-	HOSE ASSEMBLY, FLEX OUTLET, VG150	PVC HOSE, PP FITTINGS
3	1	-	CHEMICAL STORAGE TANK SUB-ASSEMBLY	ALUMINIUM
2	2	50580	FAN, IN-LINE; 315 L/s MAX; 110W MAX, 230V, 50 HZ; IPX5; LINEO200	PLASTIC
1	1	50584	ENCLOSURE - 1200Hx800Wx400D; POWDER COATED; IP66	STEEL POWDER COATED

UNLESS OTHERWISE SPECIFIED: DIMENSIONS ARE IN MILLIMETERS SURFACE FINISH: TOLERANCES: LINEAR: 2 mm ANGULAR: 0.10°						A3	
NAME	SIGNATURE	DATE	FINISH:	TITLE:			
WA		2/05/2023		VG150 GENERAL ARRANGEMENT DRAWING			
PROPRIETARY AND CONFIDENTIAL THE INFORMATION CONTAINED IN THIS DRAWING IS THE SOLE PROPERTY OF H2O CLEANAWATER. ANY REPRODUCTION IN PART OR AS A WHOLE WITHOUT THE WRITTEN PERMISSION OF H2O CLEANAWATER IS PROHIBITED.			DO NOT SCALE DRAWING		DWG NO.		REVISION
H2O CLEANAWATER, 40 LATITUDE BLVD, THOMASTOWN, VIC 3074. 1800 353 788			VG150-A00-001		SCALE:1:20		A
WEIGHT:		SCALE:1:20		SHEET 2 OF 2			