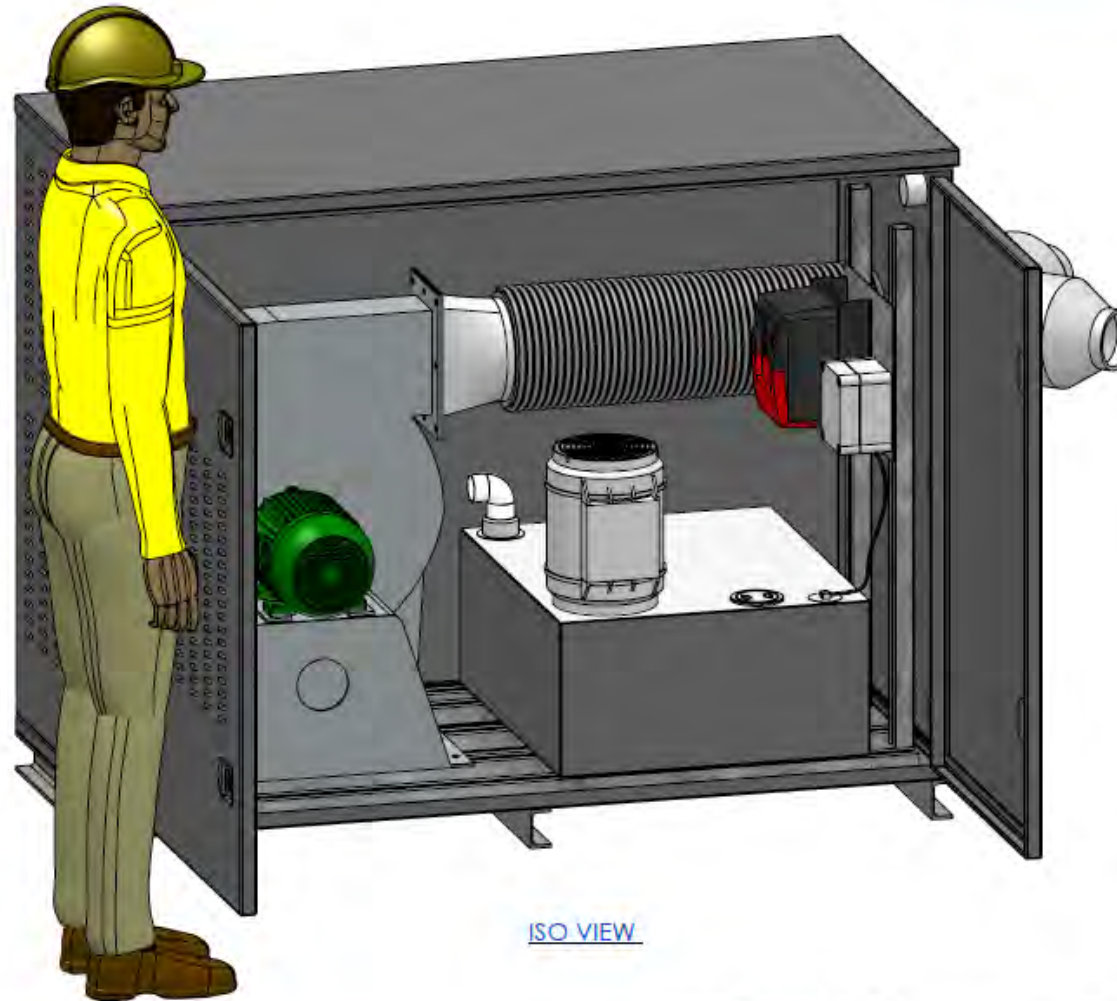


REVISIONS					
REV.	DESCRIPTION	DATE	DRAWN	CHECKED	APPROVED
0	APPROVED FOR CONSTRUCTION	09-05-2022	SYN	JDJ	JDJ

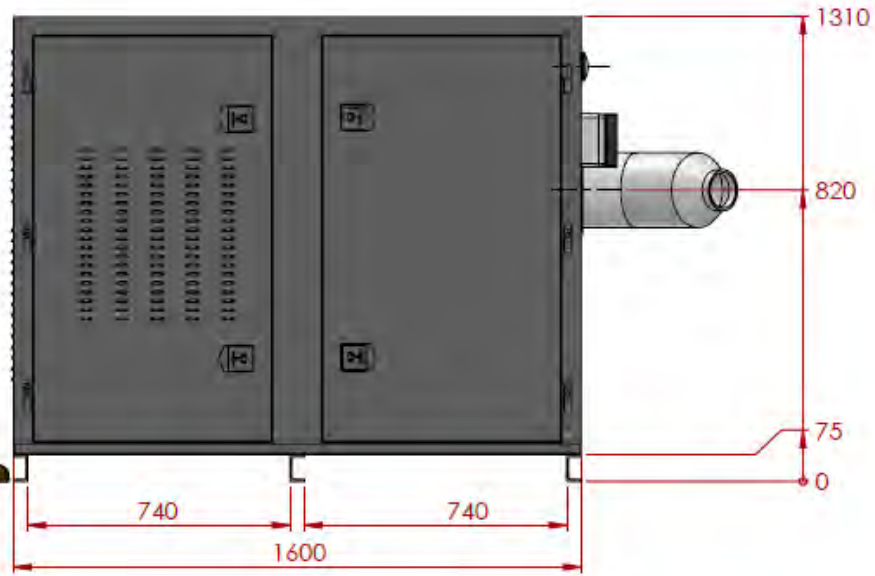


ISO VIEW

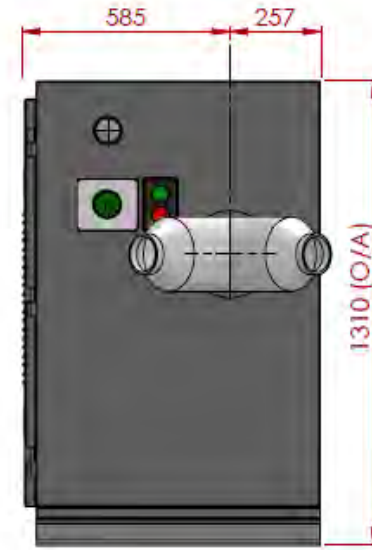
NOTE:

1). FOR EFFECTIVE OPERATION, UNIT TO BE USED EXCLUSIVELY WITH QUICKAIR 0900 V ODOUR ABATEMENT CHEMICAL.

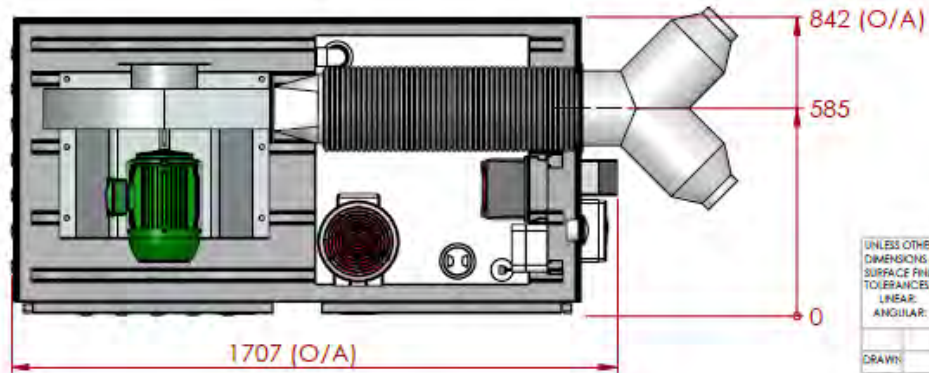
UNLESS OTHERWISE SPECIFIED: DIMENSIONS ARE IN MILLIMETERS SURFACE FINISH: TOLERANCES: LINEAR: 1.0 mm ANGULAR: 0.5°		MATERIAL: VARIOUS	DEBUR AND BREAK SHARP EDGES	CleanaWater®	A3
DRAWN: SYN	SIGNATURE:	DATE: 09-04-22	RNSH:	TITLE: VAPOURGARD VG500 GENERAL ARRANGEMENT	
CHKD:	PROPRIETARY AND CONFIDENTIAL THE INFORMATION CONTAINED IN THIS DRAWING IS THE SOLE PROPERTY OF ODOURPRO. ANY REPRODUCTION IN PART OR AS A WHOLE WITHOUT THE WRITTEN PERMISSION OF ODOURPRO IS PROHIBITED.			DO NOT SCALE DRAWING	
ODOURPRO, 4 CHANNEL ROAD, MAYFIELD WEST, NSW 2304, 1800 423 766			DWG NO.: VG500-A00-002	REVISION: 0	
WEIGHT:		SCALE: 1:50		SHEET 1 OF 4	



FRONT VIEW



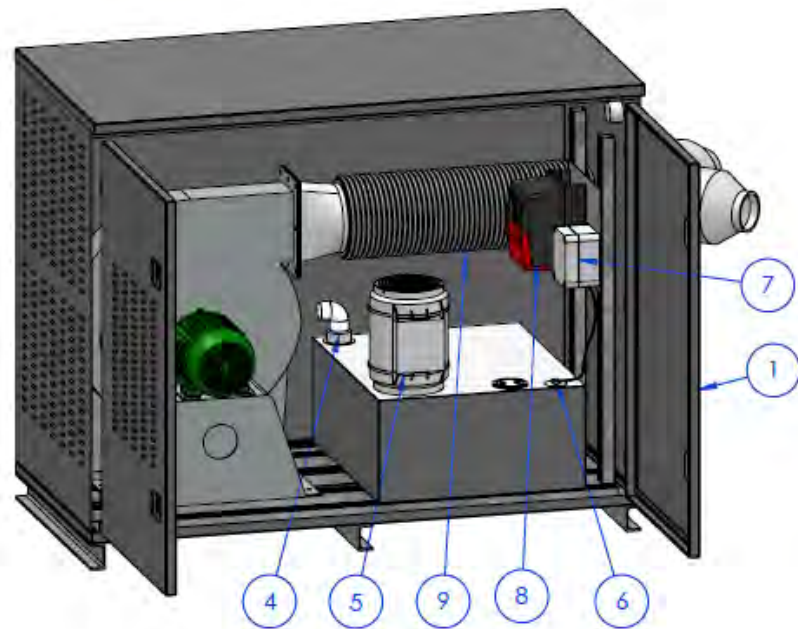
SIDE VIEW



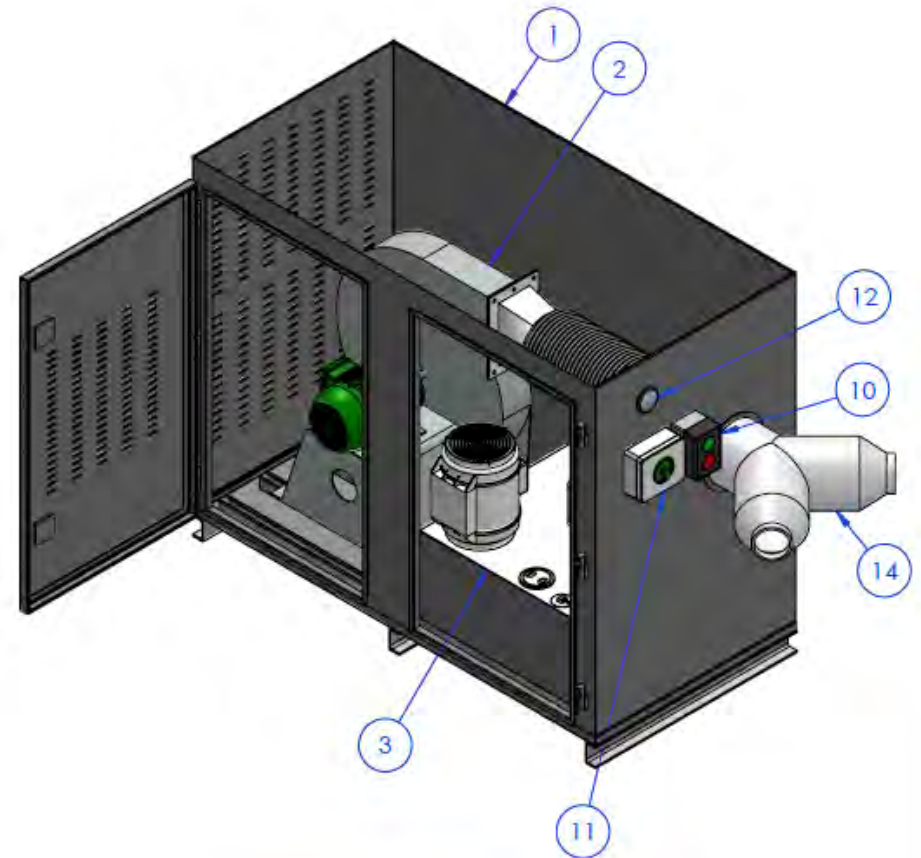
TOP VIEW

UNLESS OTHERWISE SPECIFIED: DIMENSIONS ARE IN MILLIMETERS SURFACE FINISH: TOLERANCES: LINEAR: 0.5 mm ANGULAR: 0.25°		MATERIAL: VARIOUS	DEBRIS AND BREAK SHARP EDGES	CleanaWater [®]	A3
DRAWN: CHK'D:	NAME: SYN	SIGNATURE:	DATE: 09-04-22	FINISH:	TITLE: VAPOURGARD VG500 GENERAL ARRANGEMENT
PROPRIETARY AND CONFIDENTIAL THE INFORMATION CONTAINED IN THIS DRAWING IS THE SOLE PROPERTY OF ODOURPRO. ANY REPRODUCTION IN PART OR AS A WHOLE WITHOUT THE WRITTEN PERMISSION OF ODOURPRO IS PROHIBITED.			DO NOT SCALE DRAWING	DWG NO.:	REVISION: 0
ODOURPRO, 4 CHANNEL ROAD, MAYFIELD WEST, NSW 2204, 1800 423 766			WEIGHT:	SCALE:1:50	SHEET 2 OF 4
				VG500-A00-002	

ITEM NO.	QTY.	CODE	DESCRIPTION	SPECIFICATION	MATERIAL
1	1	50285	VAPOUR GUARD ENCLOSURE ; 1600Lx800Wx1200H		ALUMINIUM; POWDER COATED
2	1		AIR BLOWER	400V AC,5.5kW	POWDER COATED STEEL
3	1	50095	RESERVOIR TANK; 120L		ALUMINIUM
4	1		CHEMICAL VAPOUR VENT		PVC
5	1	50580	AGITATOR FAN	240V AC,145W	PLASTIC
6	1	50578	SENSOR; LEVEL	24V DC	SS 316
7	1	50578	CONTROL PANEL	IP66	POLYCARBONATE
8	1	50578	VSD	IP66	
9	1	50311	DUCT TUBE;DN200		PE High Density
10	1	50578	SWITCH; START/STOP		PLASTIC
11	1	50578	SWITCH; ON/OFF		PLASTIC
12	1	50578	GAUGE; LEVEL	24V DC	PLASTIC
14	1	50312	Y PIECE REDUCING CONNECTOR,45 DEG; SOC FF; DN200-DN100		PVC

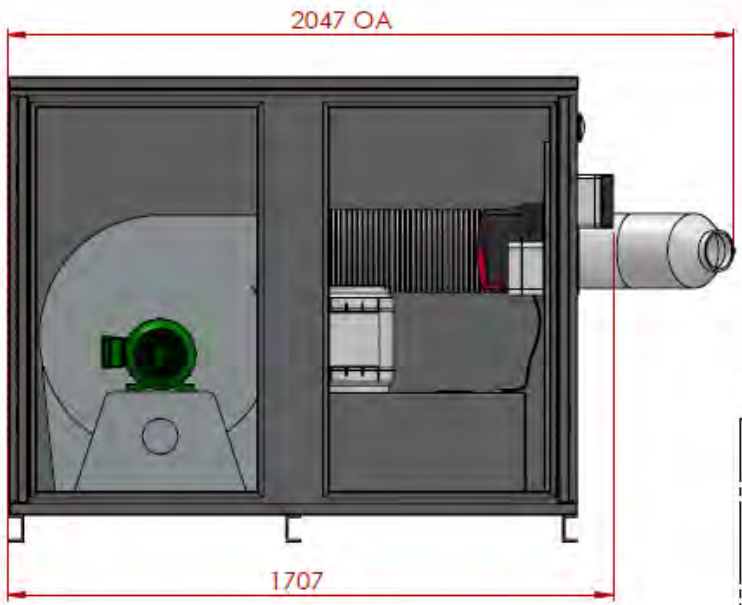


ISO VIEW 2

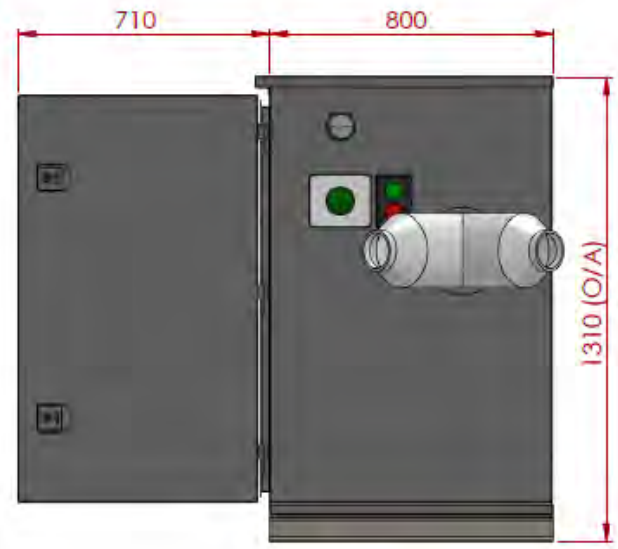


ISO VIEW 1
(ROOF AND DOOR HIDDEN FOR CLARITY)

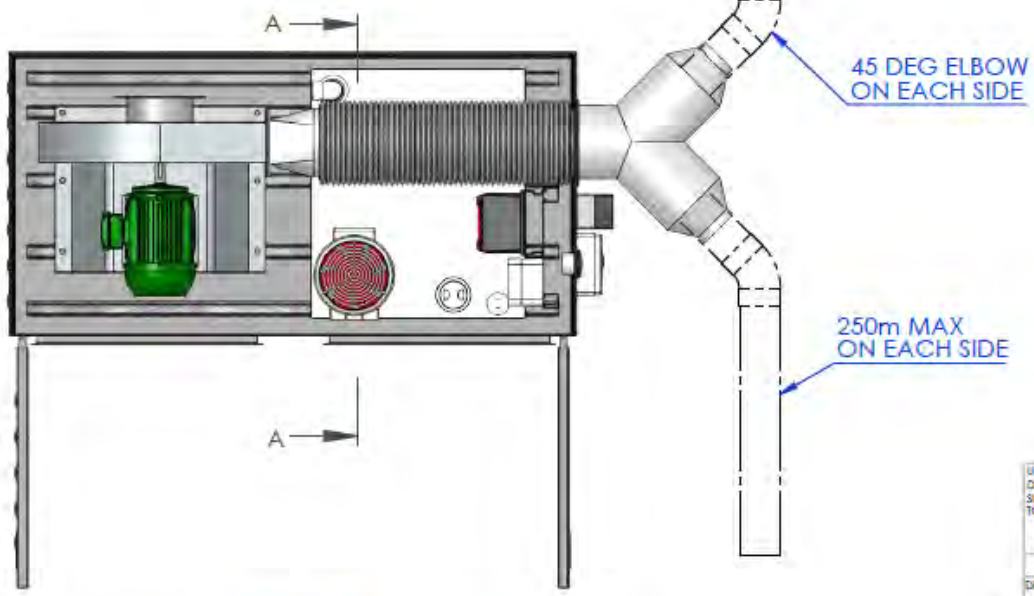
UNLESS OTHERWISE SPECIFIED: DIMENSIONS ARE IN MILLIMETERS SURFACE FINISH: TOLERANCES: LINEAR: 0.5 mm ANGULAR: 0.25°		MATERIAL: VARIOUS	DEBUR AND BREAK SHARP EDGES	CleanaWater®	A3
DRAWN: CHK'D:	NAME: SYN	SIGNATURE:	DATE: 09-06-22	TITLE: VAPOURGUARD VG500 GENERAL ARRANGEMENT	
PROPRIETARY AND CONFIDENTIAL THE INFORMATION CONTAINED IN THIS DRAWING IS THE SOLE PROPERTY OF ODOURPRO. ANY REPRODUCTION IN PART OR AS A WHOLE WITHOUT THE WRITTEN PERMISSION OF ODOURPRO IS PROHIBITED.			DO NOT SCALE DRAWING		REVISION: 0
ODOURPRO, 4 CHANNEL ROAD, MAYFIELD WEST, NSW 2304, 1800 423 766			DWG NO.: VG500-A00-002		SCALE:1:50
WEIGHT:			SCALE:1:50		SHEET 3 OF 4



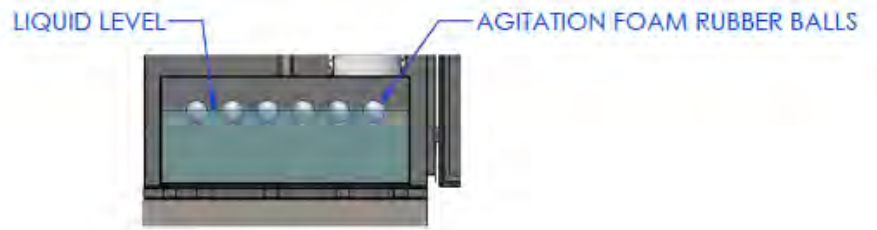
FRONT VIEW



SIDE VIEW



TOP VIEW
(ROOF SHEET HIDDEN FOR CLARITY)



SECTION A-A
CHEMICAL STORAGE TANK DETAILS
SCALE 1 : 15
(VIEW CROPPED FOR CLARITY)

NOTE:
1. 4" DISPERSANT PIPING TO BE INSTALLED ON SITE.

UNLESS OTHERWISE SPECIFIED: DIMENSIONS ARE IN MILLIMETERS SURFACE FINISH: TOLERANCES: LINEAR: 0.5 mm ANGULAR: 0.25°		MATERIAL: VARIOUS	DEBUR AND BREAK SHARP EDGES	A3
NAME	SIGNATURE	DATE	FINISH	
DRAWN: SYN		09-06-22		TITLE: VAPOURGARD VG500 GENERAL ARRANGEMENT
CHK'D:				
PROPRIETARY AND CONFIDENTIAL THE INFORMATION CONTAINED IN THIS DRAWING IS THE SOLE PROPERTY OF ODOURPRO. ANY REPRODUCTION IN PART OR AS A WHOLE WITHOUT THE WRITTEN PERMISSION OF ODOURPRO IS PROHIBITED.			DO NOT SCALE DRAWING	DWG NO.: VG-500-A00-002
ODOURPRO, 4 CHANNEL ROAD, MAYFIELD WEST, NSW 2304, 1800 403 766			WEIGHT:	
			SCALE: 1:30	SHEET 4 OF 4